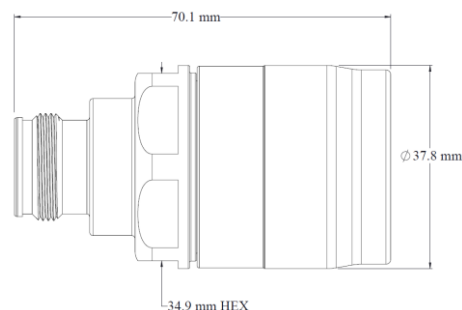


CXP-4F-78

4.3-10 Female Connector for 7/8" Cable



General	Specification	Comment
Interface/gender	4.3-10 Female	
Cables supported	Andrew AVA5, AVA5RK, AL5, LDF5, VXL5; RFS LCF78, UCF78; NK Draka RFA78; Eupen EC5; Leoni Flexline 7/8"R; LS/Superior Essex LHF 22D, LHF-22DU; Hansen RF5078; Rosenberger SL 7/8"	
Weight	219.7 g 0.484 lb	
WPS weather protection	N/A	
Return loss/VSWR		
Frequency band	VSWR	Return loss (dB)
555-1000 MHz	1.02	40
1000-2700 MHz	1.03	38
2700-3800 MHz	1.07	30
3800-6000 MHz	1.15	26
Tools required		
Cable preparation	SP-78	No coring required
Connector compression	HCG-FRAMESET-7/8, HCG-CC	
Torque wrench	Adjustable wrench	
Electrical		
Connector impedance	50 ohm	
Operating frequency band	DC to 6 GHz	
3rd order IMD dynamic, (PIM)	-161 dBc typical	IEC 60237-02
DC test voltage	2500 V	
Center contact resistance	≤1.50 milliohm	
Outer contact continuity	1.50 milliohm max.	
Average power	500 W @ 900 MHz	
Peak power, max.	15 kW	
Insertion loss, typical	0.05 dB	Per connector
Shielding effectiveness	< -120 dB	@ 0-1 GHz
Mechanical		
Pull force combined	1.56 kN > 350 lb	Cable limited
Cable/connector torque	21.69 N m 16 lbf-ft	Cable limited
Interface durability	50 cycles	IEC 61169-4:9.5
Environmental		
Operating temperature	-55 °C to +85 °C (-67 °F to 185 °F)	
Storage temperature	-55 °C to +85 °C (-67 °F to 185 °F)	
Accelerated UV	1000 hr	ASTM G53
Immersion test method	Mated & unmated	IEC 60529:2001, IP68 & ANSI/SCTE 60
Water jetting test method	Mated & unmated	IEC 60529:2001, IP66
Mechanical shock test method	Pass	IEC 60068-2-27
Thermal shock test method	Pass	IEC 60068-2-14
Vibration test method	100 m/s ² , 2 Hz to 200 Hz	IEC 61169-1:2003
Corrosion test method	750 hr	IEC 60068-2-11