



POWER AND DATA HUB [PDH-2]

POWER AND DATA INTEGRATION ALL THE
TIME, ANYTIME, IN ANY ENVIRONMENT

GALVION POWER AND DATA HUB (PDH-2) is designed to support a variety of soldier-worn systems that are commonly used today. By seamlessly integrating with handheld radios, smart devices, and power sources, this hub offers soldiers the flexibility to scale their wearable power and data according to their specific mission requirements, without the need to carry a larger hub system that may not be necessary.

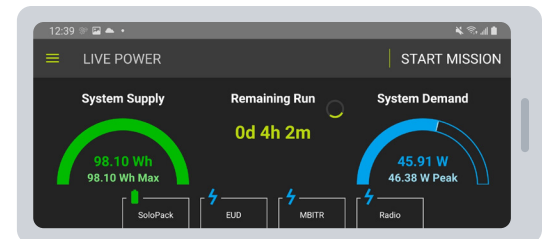


KEY FEATURES

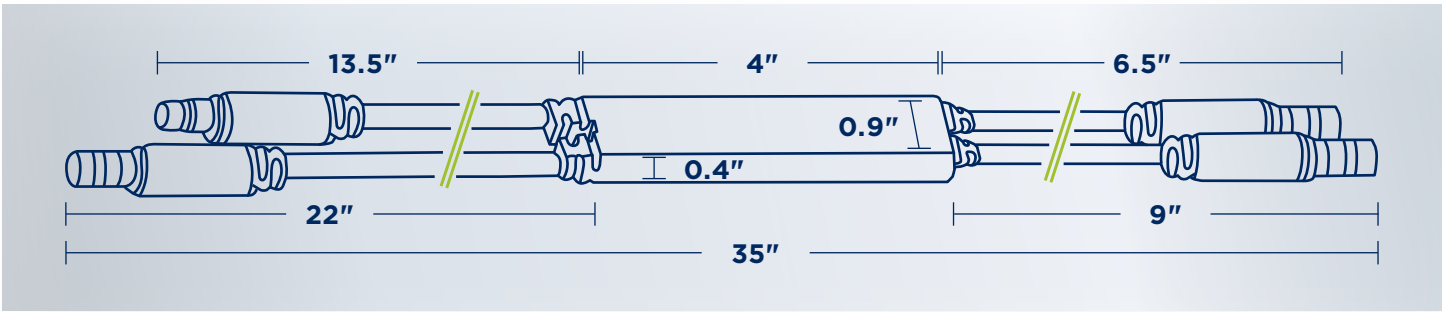
- Connects and supports soldier-worn equipment such as smart devices, handheld radios, and Nett Warrior style batteries
- Eliminates the need for individual batteries for devices by providing power management through a singular port
- HUB application pairing to provide maximum control over power management
- Waterproof at 1 meter for 30 minutes (as per MIL-STD-810 Method 512.5)
- Operating temperature of -22°F (-30°C) to 149°F (65°C)
- SMBus 1.1 & 2.0 on BB-2590 & BB-2525, DQ on MBTR compatible
- Fits inside MOLLE strap

APPLICATIONS

- Soldier systems
- Central power systems
- Portable field equipment
- Special operations forward-operation equipment



Our HUB application allows users to plan for equipment power needs, to analyze data in depth post mission, and store and retrieve data from the hub without requiring a continuous live connection to the EUD



PART NUMBER	
016-186	

TECHNICAL SPECIFICATIONS

DIMENSIONS	Overall L 35" (889mm) Hub: L 4" (102mm) x W 0.9" (23mm) x H 0.4" (10mm)
WEIGHT	4.9oz (138.2g)
POWER	80W, 5A, 10V to 17V

SPECIFICATIONS

OPERATING TEMPERATURE	-22°F (-30°C) to 149°F (65°C)
STORAGE TEMPERATURE	-22°F (-30°C) to 158°F (70°C)
WATER IMMERSION	Waterproof at 3.28ft (1 meter) for 30 mins (as per MIL-STD-810 Method 512.5)
BATTERY CONNECTION	NW 6 pin plug
LOAD CONNECTION	NW 6 pin socket
PROTECTION	Overcurrent, Short Circuit, Over-temp
COMMUNICATIONS	<ul style="list-style-type: none"> • 1 x Input battery Port (Nett Warrior Plug) • 2 x I/O Data Ports • 1 x EUD USB Host Port (Nett Warrior Socket) • Reverse Voltage protection on all ports

