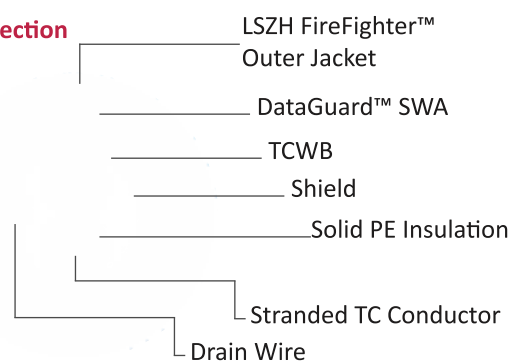


## DataGuard™ SWA Industrial Twinax Blue Hose® 78 Ohm LSZH FireFighter™ 600 Volts

### Cable Construction

Conductor:	Stranded tinned copper wire
AWG:	20
No. of Pairs:	1
Insulation:	Solid Polyethylene, white / blue cores
Shield:	Overall Aluminium/polyester tape
Drain wire:	Stranded tinned copper wire
Braid:	Tinned copper wire braid, 55% coverage
Inner Jacket:	Blue LSZH FireFighter™, SHF-1
Armour:	DataGuard™ SWA
Outer Jacket:	Blue LSZH FireFighter™, SHF-1

### Cross section



### Technical Characteristics

Temperature Range:	-20°C to +90°C
Voltage Rating:	600 volts
Fire Performance:	IEC60332-1, IEC60332-3, IEC61034, IEC60754-1, IEC60092.

### Electrical Characteristics

Nom. Capacitance (cond./cond.)	64.7 pF/m
Nom. Capacitance (con./con./shield)	118 pF/m
Nom. Impedance	78 Ω
Nom. Inductance	0.07 μH/m
Velocity of Propagation	66 %
Nom. Conductor DC Resistance	31.1 Ω/km
Nom. Shield DC Resistance	11.1 Ω/km

Part Number	Formation (No. of pairs)	Nom. Ø (mm)	
		Inner Jacket	Outer Jacket
144302C2024	1 x 2 x 20 awg	6.15	9.95

Nom. Attenuation	
50 MHz	16.4 dB/100m
100 MHz	24.6 dB/100m
200 MHz	36.0 dB/100m
400 MHz	52.5 dB/100m